



Bone Bank Allografts Product Catalog



Dear Valued Customer:

On behalf of Bone Bank Allografts, we appreciate you taking the time to review this product catalog. It is designed to be a strong resource for you.

The catalog provides background information on our allografts, safety and processing procedures, as well as some of the common surgical indications. This information is provided for reference purposes only and is not intended to prescribe medical care.

Bone Bank Allografts is committed to honoring the gracious gift of donation by providing the medical community with safe, high-quality surgical solutions.

For your convenience, you can also access this information at our website at www.bonebank.com.

We greatly appreciate your business and if you ever have any questions, please do not hesitate to contact our sales team at (800) 397-0088. It is always our pleasure to assist you.

TABLE OF CONTENTS

About Bone Bank Allografts	5
Allograft Processing	8
An Introduction to Allografts	12

AMNIOTIC SPECIALTY PRODUCTS

SteriShield® Protective Amnion Patch	14
--	----

STERILE DEMINERALIZED CORTICAL BONE

SteriScaf HSA® Cortical Bone Fibers	16
---	----

STERILE DEMINERALIZED BONE MATRIX

SteriFuse® DBM Putty & SteriFuse® Crunch	17
--	----

STERILE PRECISION SPECIALTY ALLOGRAFTS

SteriSorb® - Osteoconductive Sponge Allografts	18
SteriGraft® - ACF Spacer 11x14mm, 5° Lordosed and Parallel	20
SteriGraft® - ACF Cortical-Cancellous Spacer 11x14mm, 5° Lordosed and Parallel	21
SteriGraft® - PLIF 9x23mm, Parallel	22
SteriGraft® - ALIF 28x28mm, 7° and 12° Lordosed	22
SteriGraft® - Dense Cancellous Block 12x14mm, Parallel	24
SteriGraft® - Unicortical Dense Cancellous Block 12x14mm, Lordosed 5°	25
SteriFlex® - Wrappable Bone Allografts	25

STERILE SOFT TISSUE ALLOGRAFTS

SteriGraft® - Hemi/Whole Patellar Tendon	26
SteriGraft® - Pre-Shaped Patellar Tendon 10mm	26
SteriGraft® - Achilles Tendon with & w/o Bone Block.....	27
SteriGraft® - Pre-Shaped Achilles Tendon 10mm	27
SteriGraft® - Gracilis Tendon	28
SteriGraft® - Semitendinosus Tendon	28
SteriGraft® - Semitendinosus - Gracilis Bundle.....	28
SteriGraft® - Tibialis Tendon Anterior.....	29
SteriGraft® - Tibialis Tendon Posterior.....	29
SteriGraft® - Peroneus Longus Tendon.....	30
SteriGraft® - Plantaris Tendon	30
SteriGraft® - Fascia Lata.....	31
SteriGraft® - Pericardium	31

STERILE TRADITIONAL BONE ALLOGRAFTS

SteriGraft® - Cancellous Crushed 1-4mm.....	32
---	----

TABLE OF CONTENTS

SteriGraft® - Cancellous Crushed 4-10mm	32
SteriGraft® - Cortical - Cancellous Crushed 1-4mm	33
SteriGraft® - Cortical - Cancellous Crushed 4-10mm	33
SteriGraft® - Ilium Tricortical Block	34
SteriGraft® - Strut.....	34
SteriGraft® - Patella Block.....	35
SteriGraft® - Cortical Plate.....	35
SteriGraft® - Fibula Shaft	36
SteriGraft® - Femoral Head.....	36

ORDERING INFORMATION

Contact Us.....	37
Placing an Order.....	37
Private Labeling & Alternate Grafts.....	37
Delivery Options.....	38
Storage Indications.....	38
Product Returns Policy	39

ABOUT BONE BANK ALLOGRAFTS

Our Mission:

We lead the transplant community through excellence and innovation for the benefit of humanity, and view every donation as an opportunity to serve.

The History of Bone Bank Allografts

Bone Bank Allografts (BBA) was founded in 1993 by Joe Mims, in response to a growing need for allograft tissue in South Texas. Since 1993, BBA's distribution network has grown to cover Texas, the country, and the globe, fulfilling surgical needs for allograft tissue in more than 1,000,000 successful transplantations around the world.

Located in San Antonio, Texas, BBA is dedicated to just, equitable, and fair distribution of human allograft tissue products to surgeons, hospitals, surgery centers, and clinics. Over the years, our partners and end users have come to rely on the superior quality of our allografts as well as the unmatched service of our highly trained Certified Tissue Bank Specialists (CTBS) and our dedicated distribution team.

Our goal is to lead and serve the medical community, while maximizing the great gift of tissue donation. We view every donation as an opportunity to serve.

BBA is accredited by the American Association of Tissue Banks (AATB), registered with the U.S. Food and Drug Administration (FDA), and in compliance with the FDA's Good Tissue Practices.

Through a powerful partnership with our manufacturer, we are able to process donated human tissues to the greatest benefit of our end users and recipients. Providing a wide range of surgical allograft options from traditional bone and soft tissues to specialty custom products for transplant, we aim to serve the medical community through continual excellence and innovation in tissue processing and distribution.

ABOUT BONE BANK ALLOGRAFTS

The Key Is Partnership

We work with a variety of organizations to ensure the success of BBA and those we serve. This page highlights some of the different types of organizations with whom we collaborate. If your organization has similar objectives, please be sure to contact us to see how working with BBA can lead to a productive synergy.



- **Donor Recovery/Organ Procurement Organizations** – The medical benefits of tissue allograft would not be possible without the generous donor and their families. Our appreciation for these organizations is immense and we work closely together to ensure that safe and effective medical solutions are brought forward.
- **Medical Researchers** – Medical technology and product design is advancing at an incredible pace. This is an exciting time to be involved in healthcare. Companies who possess technology and other intellectual property in the area of bone augmentation and regeneration are encouraged to contact BBA about partnership, licensing, design, production, and marketing opportunities.
- **Tissue Processing** – The majority of allograft tissues from BBA are processed in a state-of-the-art processing facility in San Antonio, Texas. We do, however, on occasion, utilize other processing partners for assistance with specialized projects.
- **Medical Manufacturers/Distributors** – While BBA markets a full line of human allograft tissues under its SteriGraft® line, we also partner with a variety of other medical manufacturing and distribution companies to provide contract design, processing, and distribution capabilities. In many instances, our allografts may be provided under a partner's custom OEM or private label, including customer unique product designs.

If your organization is similar to those listed above and you have an interest in working with BBA, please contact us for more information. We are actively seeking additional partnership opportunities and would welcome the chance to work with your organization.

Allograft Safety

Compliance with regulatory organizations is an important part of protecting the public trust and ensuring patient safety. BBA keeps current with these requirements. Listed on the following page are copies of the various certifications achieved.

Registration and Certification

FDA Human Cell and Tissue Establishment Registration

- BBA

American Association of Tissue Banks (AATB) Certification

- BBA

Licensing and Registration

BBA Licensed in:

- Florida
- New York

BBA Registered in:

- California
- Maryland
- Oregon
- Illinois
- Delaware
- Canada

Supplier Certification

BBA Approved Laboratories include:

- Qualtex - CLIA Lab Certification
- VRL Eurofins - CLIA Lab Certification



Overview of the GraftShield® Process

As the options for surgical musculoskeletal repair continue to expand, a growing number of surgeons worldwide are choosing bone and soft tissue allografts as safe, effective, and convenient surgical options. GraftShield® processed allografts fulfill the discriminating surgeon's desire to extend extraordinary patient care. Our superior level of allograft processing begins with rigorous donor screening and meticulous donor recovery procedures, certified laboratory testing, validated tissue cleansing, sterile packaging, and a quality assurance system that ranks second to none.

The GraftShield® allograft processing system is designed to set an entirely new standard in allograft sterilization. This system offers aseptically handled tissues sterilized under a scientifically validated sterilization method used to maintain a Sterility Assurance Level (SAL) of 10^{-6} in accordance with ISO 11137. This validated process is designed to protect the biomechanical properties of each allograft and reduce the risk of bacterial disease transmission.



The GraftShield® Advantage

- Sterile human allograft tissues
- Final package sterilization
- Proprietary cleansing processes

Donor Screening & Reviews

Our donor screening and recovery partners meet or exceed all industry standards set forth by the American Association of Tissue Banks. Following donation consent, our extensive evaluation process includes:

- A detailed potential donor screening and evaluation process to review medical history as well as any lifestyle or behavioral issues that may disqualify donation. Individuals identified with risk factors for, or clinical evidence of, relevant communicable diseases and disease agents (RCDADS) such as AIDS, viral hepatitis, sepsis, etc. are ruled out as potential donors or are later disqualified if subsequent investigation reveals high risk markers.
- A physical assessment of each donor candidate just prior to tissue recovery to confirm donor identity, evaluate the accuracy of medical and social history information collected, and look for signs/symptoms of other disqualifying conditions or risk factors.



Donor Recovery & Processing

Extreme care is taken to ensure donor tissues are recovered, processed, and packaged appropriately so that the donor gift materializes in the most beneficial way for transplant recipients. We believe the best way to honor donors is to maximize the number of individuals helped through their generous donation. Maximizing the gift while safeguarding public trust by providing safe, sterile human allograft tissue is the primary goal of our processing efforts.

Stringent tissue donor screening, recovery, storage, and shipping guidelines are followed to best preserve the allografts for their intended function.

Donate Life is a registered trademark of Donate Life America.

Certified Laboratory Testing

In accordance with FDA Regulation and AATB Standards, donor specimens are collected and sent to an independent laboratory certified under the Clinical Laboratory Improvement Amendments of 1988 (CLIA) to test for the following infectious diseases and antibody or antigen markers listed below:

Human Immunodeficiency Virus Type I

HIV I Antibody
HIV I NAT

Human Immunodeficiency Virus Type II

HIV II Antibody

Hepatitis B Virus

HBc Antibody (total)
HBV NAT
HBs Antigen

Hepatitis C Virus

HCV Antibody
HCV NAT

Syphilis

Rapid Plasma Reagin Test and/or
CAPTIA Syphilis IgG

Living Donors

West Nile Virus

WNV NAT

Recovery and Preprocessing Cultures

Cultures are taken of all donated tissues prior to any processing steps that are intended to reduce and eliminate microorganisms.



Other Testing

The following testing may have been performed and included in donor eligibility evaluations:

Cytomegalovirus

CMV IgG, CMV IgM

Epstein Barr

EBV

Human T-Lymphotropic Virus Type I

HTLV I Antibody

Human T-Lymphotropic Virus Type II

HTLV II Antibody

COVID-19

SARS-CoV-2 PCR and Antibody Testing

West Nile Virus

WNV NAT

BBA Medical Directors review all relevant medical records and screening and recovery documents for each donor to determine eligibility for transplant.

Tissue Cleansing and Processing

Our proprietary processing system was developed to offer the following advantages:



- Validated GraftCleanse® tissue cleansing method includes chemical and physical tissue cleaning procedures to reduce the bone marrow and lipid elements associated with normal human tissue
- Custom machinery designed exclusively by BBA for tissue manufacturing and sterilization between each donor case
- Controlled exposure to freeze/thaw cycles

Sterile Packaging

SteriGraft® bone and soft tissue allografts are packaged with extreme care to preserve the validated sterile nature of the tissue. Packaging steps are carefully taken to ensure that our allografts arrive to the end user in a manner that promises the highest patient safety and allograft quality.

The following details outline our packaging advantages:

- Double Tyvek pouches and easy-to-read labeling
- Outer package that provides a durable moisture barrier designed to accommodate both ultra-low and ambient temperature storage
- Sterile inner pouch designed for easy delivery to the sterile field
- Terminal sterilization of product in its final packaging
- Validated 3- or 5-year expiration dating
- Included product insert that provides details regarding donor screening, testing, and tissue processing
- Transplant record and multiple tissue ID barcode labels for OR staff
- SteriGraft® box that allows for convenient stacking and storage

Quality Assurance

Our donor tracking, documentation, tissue processing, allograft packaging, storage, and shipping processes ensure the availability of safe, high-quality allografts. A three-level pre-processing review is performed by our highly trained Quality Assurance staff and Medical Director. The following items are carefully reviewed and documented:

- Donor qualification
- Medical/behavioral risk profile
- Consent/authorization to recover tissues for transplantation
- Recovery process/time frames/reconciliation of refrigeration times/recovery site assessment/recovery sequence
- Completion of recovery record
- Receipt/reconciliation of tissue recovered
- Supplies/materials used in recovery/lot numbers and expiration dates
- Blood sample assessment/qualification
- Infectious disease testing results
- Procurement microbiology results
- Information sharing with other agencies who participated in recovery or receipt of recovered tissues

- Pathology/autopsy results if performed
- Tissue receipt records
 - Verification of shipment parameters
 - Reconciliation of tissues shipped vs. received
- Processing records
 - SOP requirements have been met
 - Supplies used
 - Visual product/packaging inspection
 - Traceability of tissues received
 - Irradiation sterilization parameters
 - Residual moisture results acceptable
- Completion of quality assurance investigations
- Completion of production technical review
- Inventory data entry
- Final labeling



Our Processing Facility

Located in San Antonio, BBA has a state-of-the-art human tissue processing center. The facility was designed and built for compliance with environmental condition requirements for handling human tissue. All human tissues are handled in a clean room environment.

Specialty features include the following:

- Gasketed, sealed, and washable ceilings
- Full sheet glued fiberglass reinforced polyester (FRP) or modular, seam-sealed walls
- Point of passage, magnehelic gauges for continuous monitoring of clean room zone pressures
- Fully adjustable High Efficiency Particulate Air (HEPA) filter air handling system
- Validated ethylene oxide sterilization of supplies and equipment
- Validated steam sterilization of supplies and equipment

STERILE HUMAN TISSUE ALLOGRAFTS

An Introduction to Allografts

An allograft is transplantable tissue that comes from a human donor and is implanted in a recipient. This tissue is typically processed and sterilized, then used in grafting surgeries to repair damaged bones or ligaments. Autograft tissue is harvested from the patient's own body and then transplanted into another area needing repair in the same patient.

The SteriGraft® line features sterile human bone and soft tissue allografts for transplantation in a variety of surgical settings. We strive to provide the safest and highest quality allograft tissue available for your upcoming surgery.

We should not overlook the circumstances through which these allografts are available for your surgeons and patients. Allograft tissue is available because a donor and donor family made the decision to make a very generous donation of human tissue. We believe this gracious gift should not be taken for granted.

Many allograft recipients show their appreciation for the gift they have received by signing their own donor card, encouraging their family to do the same, and becoming active in donation groups and causes. Even though one donor can touch the lives of over 100 patients, the need for lifesaving and life-enhancing tissues and organs still exceeds the amount provided by donors. Consider becoming a donor hero!

Contact us to find out how your hospital may benefit from becoming a BBA donor referral partner.







SteriShield® - Protective Amnion Patch (Single and Dual Layer)

Product Code	Description	Sizes
730	SteriShield® Single Layer Amnion Patch	1x1cm
731	SteriShield® Single Layer Amnion Patch	2x2cm
732	SteriShield® Single Layer Amnion Patch	4x4cm
733	SteriShield® Single Layer Amnion Patch	4x6cm
830	SteriShield® II Dual Layer Amnion Patch	1x1cm
831	SteriShield® II Dual Layer Amnion Patch	2x2cm
832	SteriShield® II Dual Layer Amnion Patch	2x3cm
833	SteriShield® II Dual Layer Amnion Patch	4x4cm
834	SteriShield® II Dual Layer Amnion Patch	4x6cm
835	SteriShield® II Dual Layer Amnion Patch	4x8cm
836	SteriShield® II Dual Layer Amnion Patch	2x4cm
838	SteriShield® II Dual Layer Amnion Disc	10mm diameter
840	SteriShield® II Dual Layer Amnion Disc	12mm diameter
839	SteriShield® II Dual Layer Amnion Disc	16mm diameter

Source: Human placental tissues

Preservation Method: Desiccated

Containers must be stored at ambient, room temperature.

Description: Amnion patch may be used as protective barrier. SteriShield® Protective Amnion Patch is provided as a sterile, easy-to-handle, dry graft that rehydrates within the wound setting. Apply either side of the graft surface to the site.





STERILE DEMINERALIZED CORTICAL BONE



SteriScaf HSA® Cortical Bone Fibers

Product Code	Description/Volume
46025	SteriScaf HSA® Cortical Fiber 2.5cc
46500	SteriScaf HSA® Cortical Fiber 5.0cc
46100	SteriScaf HSA® Cortical Fiber 10cc
46150	SteriScaf HSA® Cortical Fiber 15cc



- 100% human cortical bone
- Interwoven demineralized bone fibers provide a unique scaffold for bone formation
- Shape conforming – excellent bone-to-graft contact for orthopedic applications and void filling
- High Surface Area (HSA) – DBM Cortical Fiber Allografts have a greater surface area than cancellous bone for optimized cell adsorption, retention, and viability
- Osteoconductive – DBM provides an ideal scaffold to support bone formation
- Osteoinductive potential*
- Hydrates quickly and uniformly
- Irrigation resistant
- Sterilized by gamma irradiation to a sterility assurance level (SAL) of 10^{-6}
- No anatomical restrictions to the size or shape of the implants

* It is unknown how the osteoinductive potential measured in an alkaline phosphatase assay will correlate with clinical performance in human subjects.

STERILE DEMINERALIZED BONE MATRIX

SteriFuse® DBM Putty & SteriFuse® Crunch

Product Code	Description/Volume
32600	SteriFuse® DBM Putty 0.7cc
32601	SteriFuse® DBM Putty 1.0cc
32602	SteriFuse® DBM Putty 2.5cc
32605	SteriFuse® DBM Putty 5.0cc
32610	SteriFuse® DBM Putty 10.0cc
32601C	SteriFuse® Crunch 1.0cc
32602C	SteriFuse® Crunch 2.5cc
32605C	SteriFuse® Crunch 5.0cc
32610C	SteriFuse® Crunch 10.0cc



Simplicity Evolved

Innovation often follows the straightest path. In bone grafting, attention to basic fundamentals has been the key to good clinical outcomes. Historically, bone itself has been the best substrate for new bone formation. This is the philosophy behind SteriFuse® DBM Putty and SteriFuse® Crunch, which is simply comprised of human bone and buffered water.

SteriFuse® DBM Putty and SteriFuse® Crunch are:

- Made from 100% human bone – nothing is added that may get in the way of bone healing
- Osteoconductive – DBM provides an ideal scaffold that directs and supports bone formation
- Osteoinductive – the osteoinductive potential of DBM is well established
- Excellent handling characteristics – shapes and conforms to fill unique bony voids, and retains shape and will not wash away or migrate with lavage
- Easy storage and use – stores at ambient room temperature and ready for immediate use; no prep time or reconstitution required
- Sterile – gamma irradiated to SAL 10⁻⁶
- Donor recovery and screening performed according to AATB and FDA guidelines
- Available in flowable, formable putty and crunch
- Crunch consists of SteriFuse® DBM putty and cortical cancellous bone chips

STERILE PRECISION SPECIALTY ALLOGRAFTS

SteriSorb® - Osteoconductive Sponge Allografts

Product Code	Description	Sizes
70808	SteriSorb® Cube, 8mm	8x8x8mm
70810	SteriSorb® Cube, 10mm	10x10x10mm
70812	SteriSorb® Cube, 12mm	12x12x12mm
70814	SteriSorb® Cube, 14mm	14x14x14mm
71810	SteriSorb® Chips 10cc	1-4mm particles
75810	SteriSorb® Chips 10cc	4-10mm particles
74830	SteriSorb® Strip	20x30x5mm
74805	SteriSorb® Strip	5x50x5mm
74801	SteriSorb® Strip	10x50x5mm
74850	SteriSorb® Strip	20x50x5mm
76810	SteriSorb® Cranial Disc	10x5mm
76812	SteriSorb® Cranial Disc	12x5mm
76814	SteriSorb® Cranial Disc	14x5mm



Source: Proximal and distal ends of long bones, ilium, calcaneus, or talus

Preservation Method: Lyophilized

Containers must be stored at ambient temperature.

Description: 100% cancellous bone that is compressible, has wicking characteristics, and maintains the biocompatibility of human bone. A new solution for “tight space” bone voids, which assumes characteristics of a sponge by absorbing saline, blood, or bone marrow aspirate. The graft compresses to half of its original size (or less), then expands back to its former size to secure a better fit. This gives the surgeon more flexibility, decreases surgery time, reduces the potential for migration, and eliminates the leaching commonly seen with putty and gel. Encourages excellent osteoconductivity and supports rapid vascularization of the allograft to incorporate the recipient’s natural bone growth factors and stimulate new bone growth. SteriSorb® is sterilized with the GraftShield® process for improved allograft safety.

Common Surgical Applications: Spinal fusion, general orthopedic surgeries, and dental reconstruction.



STERILE PRECISION SPECIALTY ALLOGRAFTS

Cervical Fusion

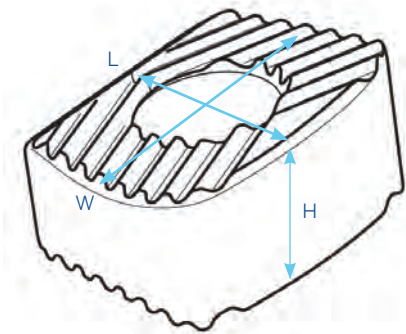


SteriGraft® - ACF Spacer 11x14mm, 5° Lordosed and Parallel

Product Code	Description	Sizes
70505	ACF Spacer 11x14mm, 5°, 5mm	H = 5mm, W = 14mm, L = 11mm
70506	ACF Spacer 11x14mm, 5°, 6mm	H = 6mm, W = 14mm, L = 11mm
70507	ACF Spacer 11x14mm, 5°, 7mm	H = 7mm, W = 14mm, L = 11mm
70508	ACF Spacer 11x14mm, 5°, 8mm	H = 8mm, W = 14mm, L = 11mm
70509	ACF Spacer 11x14mm, 5°, 9mm	H = 9mm, W = 14mm, L = 11mm



Product Code	Description	Sizes
71505	ACF Spacer 11x14mm, 5mm	H = 5mm, W = 14mm, L = 11mm
71506	ACF Spacer 11x14mm, 6mm	H = 6mm, W = 14mm, L = 11mm
71507	ACF Spacer 11x14mm, 7mm	H = 7mm, W = 14mm, L = 11mm
71508	ACF Spacer 11x14mm, 8mm	H = 8mm, W = 14mm, L = 11mm
71509	ACF Spacer 11x14mm, 9mm	H = 9mm, W = 14mm, L = 11mm



Source: Femur or tibia

Preservation Method: Lyophilized

Containers must be stored at ambient temperature.

Description: Constructed of 100% human cortical bone. Computer designed and cut for high precision, tolerances, and consistency. Designed to work with universal inserters. Unique “V groove” surface serration pattern for improved traction.

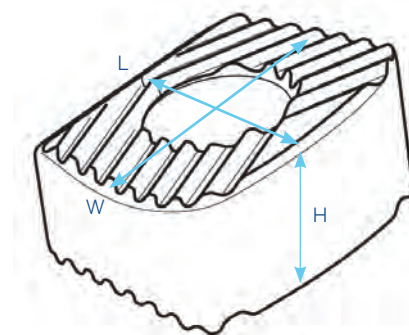
Common Surgical Applications: Anterior cervical interbody fusion.

SteriGraft® - ACF Cortical-Cancellous Spacer 11x14mm, 5° Lordosed and Parallel

Product Code	Description	Sizes
705051	Cortical-Cancellous ACF Spacer 11x14mm, 5°, 5mm	H = 5mm, W = 14mm, L = 11mm
705061	Cortical-Cancellous ACF Spacer 11x14mm, 5°, 6mm	H = 6mm, W = 14mm, L = 11mm
705071	Cortical-Cancellous ACF Spacer 11x14mm, 5°, 7mm	H = 7mm, W = 14mm, L = 11mm
705081	Cortical-Cancellous ACF Spacer 11x14mm, 5°, 8mm	H = 8mm, W = 14mm, L = 11mm
705091	Cortical-Cancellous ACF Spacer 11x14mm, 5°, 9mm	H = 9mm, W = 14mm, L = 11mm



Product Code	Description	Sizes
715051	Cortical-Cancellous ACF Spacer 11x14mm, 5mm	H = 5mm, W = 14mm, L = 11mm
715061	Cortical-Cancellous ACF Spacer 11x14mm, 6mm	H = 6mm, W = 14mm, L = 11mm
715071	Cortical-Cancellous ACF Spacer 11x14mm, 7mm	H = 7mm, W = 14mm, L = 11mm
715081	Cortical-Cancellous ACF Spacer 11x14mm, 8mm	H = 8mm, W = 14mm, L = 11mm
715091	Cortical-Cancellous ACF Spacer 11x14mm, 9mm	H = 9mm, W = 14mm, L = 11mm



Source: Femur or tibia

Preservation Method: Lyophilized

Containers must be stored at ambient temperature.

Description: Constructed of 100% human cortical bone with an internal cancellous plug. Computer designed and cut for high precision, tolerances, and consistency. Designed to work with universal inserters. Unique “V groove” surface serration pattern for improved traction.

Common Surgical Applications: Anterior cervical interbody fusion.

STERILE PRECISION SPECIALTY ALLOGRAFTS

SteriGraft® - PLIF 9x23mm, Parallel

Product Code	Description	Sizes
85007	PLIF 9x23mm, 7mm	H = 7mm, W = 9mm, L = 23
85009	PLIF 9x23mm, 9mm	H = 9mm, W = 9mm, L = 23
85011	PLIF 9x23mm, 11mm	H = 11mm, W = 9mm, L = 23
85013	PLIF 9x23mm, 13mm	H = 13mm, W = 9mm, L = 23
85015	PLIF 9x23mm, 15mm	H = 15mm, W = 9mm, L = 23

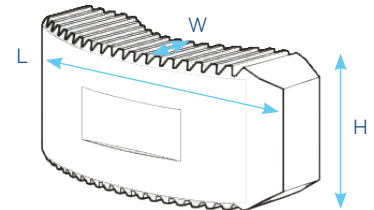
Source: Femur or tibia

Preservation Method: Lyophilized

Containers must be stored at ambient temperature.

Description: Constructed of 100% human cortical bone. Computer designed and cut for high precision, tolerances, and consistency. Designed to work with universal inserters. Unique groove surface serration pattern for improved traction.

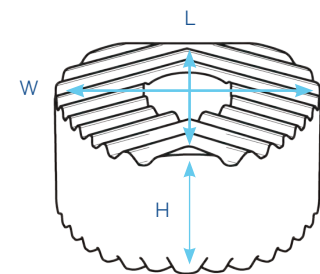
Common Surgical Applications: Posterior lumbar interbody fusion.



SteriGraft® - ALIF 28x28mm, 7° and 12° Lordosed

Product Code	Description	Sizes
80710	ALIF 28x28mm, 7°, 10mm	H = 10mm, W = 28mm, L = 28mm
80712	ALIF 28x28mm, 7°, 12mm	H = 12mm, W = 28mm, L = 28mm
80714	ALIF 28x28mm, 7°, 14mm	H = 14mm, W = 28mm, L = 28mm
80716	ALIF 28x28mm, 7°, 16mm	H = 16mm, W = 28mm, L = 28mm
80718	ALIF 28x28mm, 7°, 18mm	H = 18mm, W = 28mm, L = 28mm
80720	ALIF 28x28mm, 7°, 20mm	H = 20mm, W = 28mm, L = 28mm

Product Code	Description	Sizes									
81210	ALIF 28x28mm, 12°, 10mm	H = 10mm, W = 28mm, L = 28mm									
81212	ALIF 28x28mm, 12°, 12mm	H = 12mm, W = 28mm, L = 28mm									
81214	ALIF 28x28mm, 12°, 14mm	H = 14mm, W = 28mm, L = 28mm </tr <tr> <td>81216</td> <td>ALIF 28x28mm, 12°, 16mm</td> <td>H = 16mm, W = 28mm, L = 28mm</td> </tr> <tr> <td>81218</td> <td>ALIF 28x28mm, 12°, 18mm</td> <td>H = 18mm, W = 28mm, L = 28mm</td> </tr> <tr> <td>81220</td> <td>ALIF 28x28mm, 12°, 20mm</td> <td>H = 20mm, W = 28mm, L = 28mm</td> </tr>	81216	ALIF 28x28mm, 12°, 16mm	H = 16mm, W = 28mm, L = 28mm	81218	ALIF 28x28mm, 12°, 18mm	H = 18mm, W = 28mm, L = 28mm	81220	ALIF 28x28mm, 12°, 20mm	H = 20mm, W = 28mm, L = 28mm
81216	ALIF 28x28mm, 12°, 16mm	H = 16mm, W = 28mm, L = 28mm									
81218	ALIF 28x28mm, 12°, 18mm	H = 18mm, W = 28mm, L = 28mm									
81220	ALIF 28x28mm, 12°, 20mm	H = 20mm, W = 28mm, L = 28mm									



Source: Femur

Preservation Method: Lyophilized

Containers must be stored at ambient temperature.

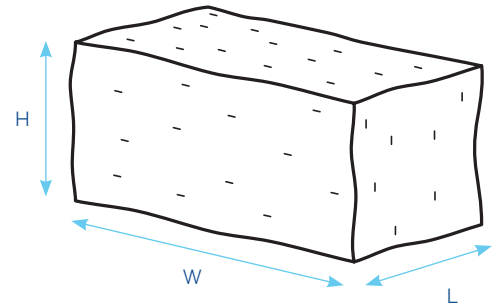
Description: Constructed of 100% human cortical bone. Computer designed and cut for high precision, tolerances, and consistency. Designed to work with universal inserters. Unique “V groove” surface serration pattern for improved traction.

Common Surgical Applications: Anterior lumbar interbody fusion.

STERILE PRECISION SPECIALTY ALLOGRAFTS

SteriGraft® - Dense Cancellous Block 12x14mm, Parallel

Product Code	Description	Sizes
72205	Dense Cancellous Block 12x14mm, 5mm	H = 5mm, L = 12mm, W = 14mm
72206	Dense Cancellous Block 12x14mm, 6mm	H = 6mm, L = 12mm, W = 14mm
72207	Dense Cancellous Block 12x14mm, 7mm	H = 7mm, L = 12mm, W = 14mm
72208	Dense Cancellous Block 12x14mm, 8mm	H = 8mm, L = 12mm, W = 14mm
72209	Dense Cancellous Block 12x14mm, 9mm	H = 9mm, L = 12mm, W = 14mm
72210	Dense Cancellous Block 12x14mm, 10mm	H = 10mm, L = 12mm, W = 14mm
72211	Dense Cancellous Block 12x14mm, 11mm	H = 11mm, L = 12mm, W = 14mm



Source: Femoral head, patella, distal tibia, talus, or calcaneus

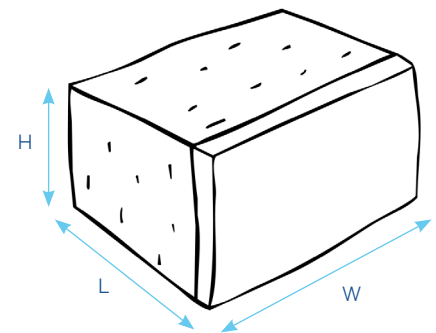
Preservation Method: Lyophilized

Containers must be stored at ambient temperature.

Common Surgical Applications: Anterior cervical interbody fusion.

SteriGraft® - Unicortical Dense Cancellous Block 12x14mm, Lordosed 5°

Product Code	Description	Sizes
70305	Unicortical Dense Cancellous Block 12x14mm, 5°, 5mm	H = 5mm, L = 12mm, W = 14mm
70306	Unicortical Dense Cancellous Block 12x14mm, 5°, 6mm	H = 6mm, L = 12mm, W = 14mm
70307	Unicortical Dense Cancellous Block 12x14mm, 5°, 7mm	H = 7mm, L = 12mm, W = 14mm
70308	Unicortical Dense Cancellous Block 12x14mm, 5°, 8mm	H = 8mm, L = 12mm, W = 14mm
70309	Unicortical Dense Cancellous Block 12x14mm, 5°, 9mm	H = 9mm, L = 12mm, W = 14mm
70310	Unicortical Dense Cancellous Block 12x14mm, 5°, 10mm	H = 10mm, L = 12mm, W = 14mm
70311	Unicortical Dense Cancellous Block 12x14mm, 5°, 11mm	H = 11mm, L = 12mm, W = 14mm



Source: Femoral head, patella, distal tibia, talus, or calcaneus

Preservation Method: Lyophilized

Containers must be stored at ambient temperature.

Common Surgical Applications: Anterior cervical interbody fusion.

SteriFlex® - Wrappable Bone Allografts

Product Code	Description	Sizes
72825	SteriFlex®, 15x25mm	W = 15mm L = 25mm
72835	SteriFlex®, 15x35mm	W = 15mm L = 25mm



Source: Femur, tibia, ilium, or humerus

Preservation Method: Lyophilized

Containers must be stored at ambient temperature.

Common Surgical Applications: Dental extractions, fracture repairs, sinus/nasal fracture repair and rhinoplasty.

STERILE SOFT TISSUE ALLOGRAFTS

SteriGraft® - Hemi/Whole Patellar Tendon

Product Code	Description	Sizes
890	Whole Patellar Tendon with Quadricep	X=35-48mm W x Z mm T ≥ 9mm Y ≥ 23mm Q ≥ 30mm
891	Whole Patellar Tendon without Quadricep	X=35-48mm W x Z mm T ≥ 9mm Y ≥ 23mm
892	Hemi Patellar Tendon	X=35-48mm W ≥ 10mm Z ≥ 10mm T ≥ 9mm Y ≥ 23mm

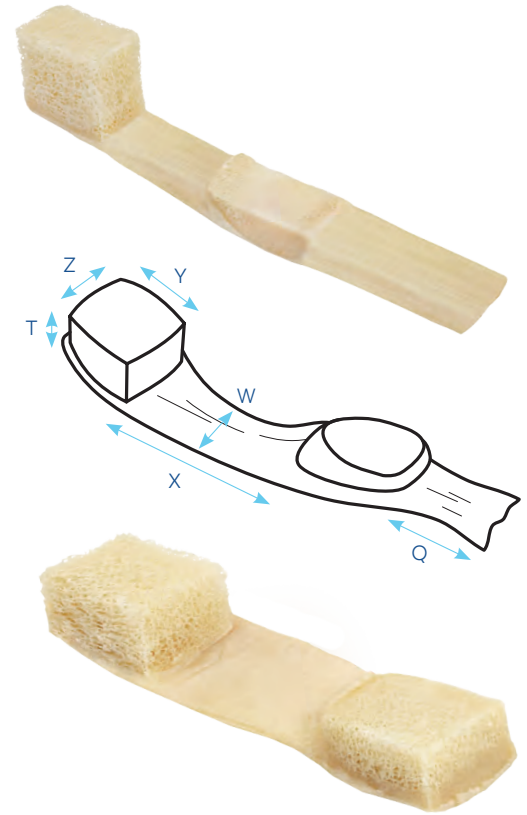
Source: Tibia, patella, and patellar ligament

Preservation Method: Frozen

Containers must be stored at -40°C or colder.

Measurement Description: X = inner tendon length. W = tendon width. Z = tibial bone block width. T = tibial bone block thickness. Y = tibial bone block length. Q = quad length (if present).

Common Surgical Applications: Reconstruction of knee ligaments.



SteriGraft® - Pre-Shaped Patellar Tendon 10mm

Product Code	Description	Sizes
8922	Pre-Shaped Patellar Tendon 10mm	X mm W ≥ 10mm DT = 10-10.5mm Y ≥ 23mm DP = 10-10.5mm Z ≥ 23mm

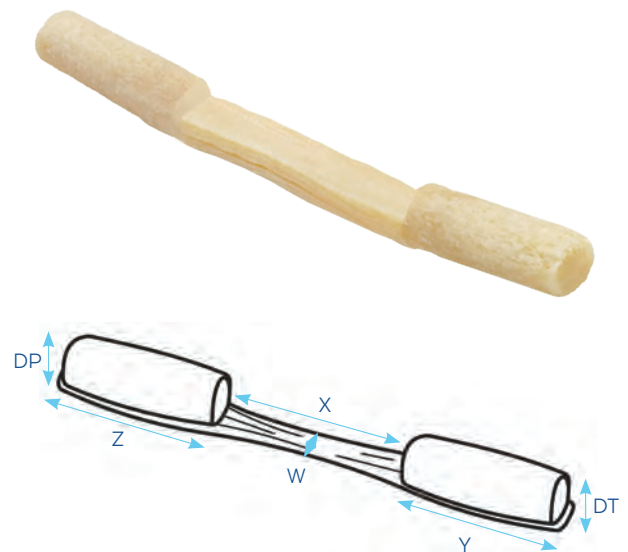
Source: Tibia, patella, and patellar ligament

Preservation Method: Frozen

Containers must be stored at -40°C or colder.

Measurement Description: X = inner tendon length. W = tendon width. DT = tibial bone dowel diameter. Y = length of the tibial bone dowel. DP = patellar bone dowel diameter. Z = length of the patellar bone dowel.

Common Surgical Applications: Reconstruction of knee ligaments.



SteriGraft® - Achilles Tendon with or without Bone Block

Product Code	Description	Sizes
809	Achilles Tendon without Bone Block	L ≥ 240mm
893	Achilles Tendon with Bone Block	L ≥ 260mm W ≥ 10mm Z ≥ 10mm T ≥ 15mm Y ≥ 23mm

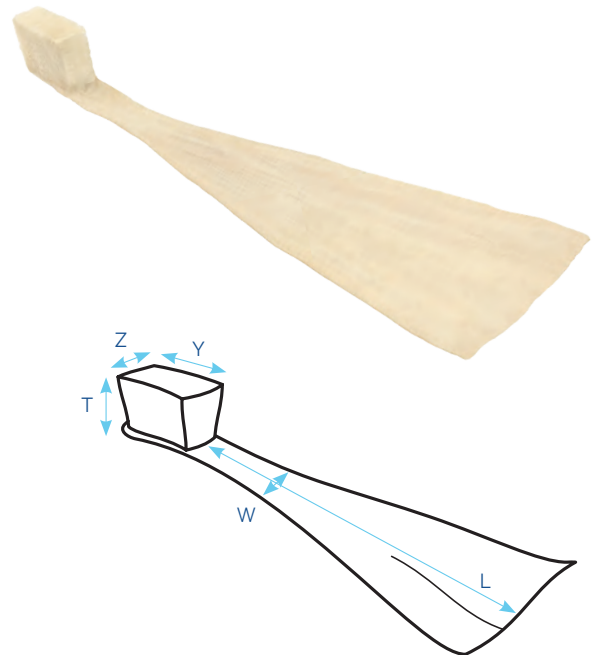
Source: Achilles Tendon

Preservation Method: Frozen

Containers must be stored at -40°C or colder.

Measurement Description: L = tendon length. W = tendon width. Z = calcaneal bone block width. T = calcaneal bone block thickness. Y = calcaneal bone block length.

Common Surgical Applications: Reconstruction of rotator cuffs, reconstruction of knee ligaments, and Achilles tendon repair.



SteriGraft® - Pre-Shaped Achilles Tendon 10mm

Product Code	Description	Sizes
8933	Pre-Shaped Achilles Tendon 10mm	L ≥ 180mm W ≥ 10mm D = 10-10.5mm Y ≥ 23mm

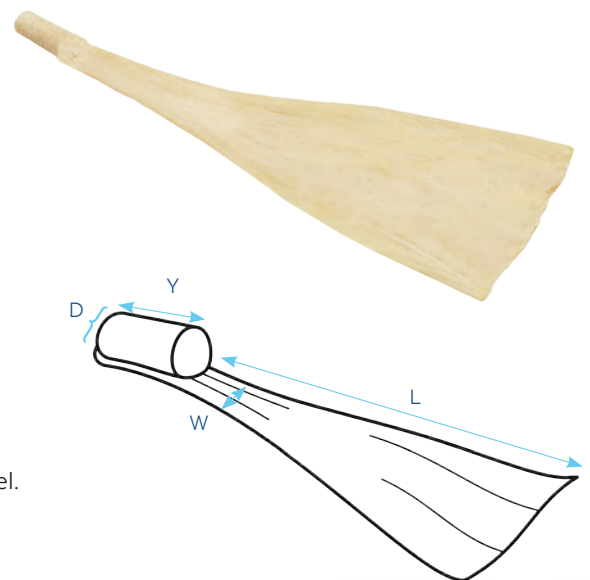
Source: Achilles Tendon

Preservation Method: Frozen

Containers must be stored at -40°C or colder.

Measurement Description: L = tendon length. W = tendon width. D = calcaneal bone dowel diameter. Y = length of the calcaneal bone dowel.

Common Surgical Applications: Reconstruction of rotator cuffs, reconstruction of knee ligaments, and Achilles tendon repair.



STERILE SOFT TISSUE ALLOGRAFTS

SteriGraft® - Gracilis Tendon

Product Code	Description	Sizes
894	Gracilis Tendon	L ≥ 250mm D ≥ 5mm

Source: Gracilis Tendon

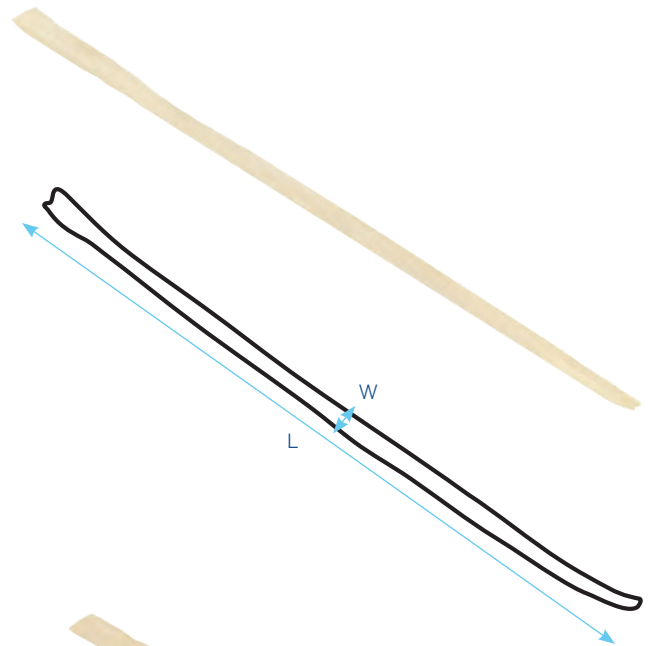
Preservation Method: Frozen

Containers must be stored at -40°C or colder.

Measurement Description: W = midpoint width. L = length.

D = folded diameter.

Common Surgical Applications: Reconstruction of knee, ankle, wrist, or shoulder ligaments.



SteriGraft® - Semitendinosus Tendon

Product Code	Description	Sizes
895	Semitendinosus Tendon	L ≥ 245mm D ≥ 6mm

Source: Semitendinosus Tendon

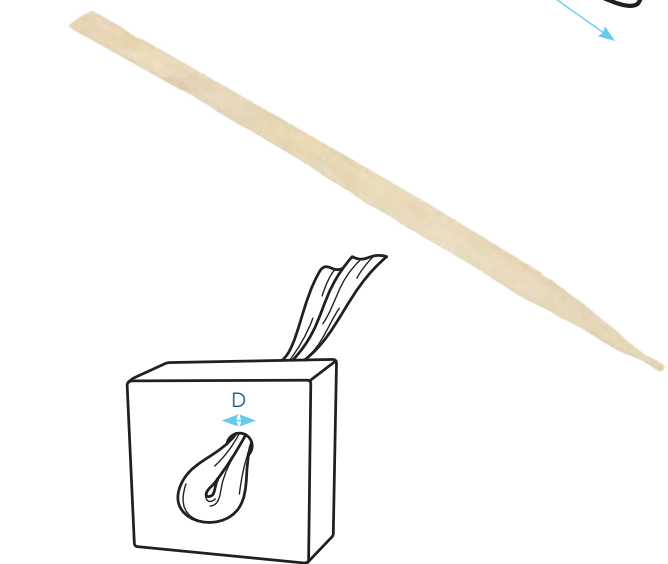
Preservation Method: Frozen

Containers must be stored at -40°C or colder.

Measurement Description: W = midpoint width. L = length.

D = folded diameter.

Common Surgical Applications: Reconstruction of knee, ankle, wrist, or shoulder ligaments.



SteriGraft® - Semitendinosus - Gracilis Bundle

Product Code	Description	Sizes
8954	Semitendinosus - Gracilis Bundle	L ≥ 250mm D ≥ 8.5mm (both tendons folded together as a single unit)



SteriGraft® - Tibialis Tendon Anterior

Product Code	Description	Sizes
896	Tibialis Tendon Anterior	L ≥ 250mm D ≥ 8mm

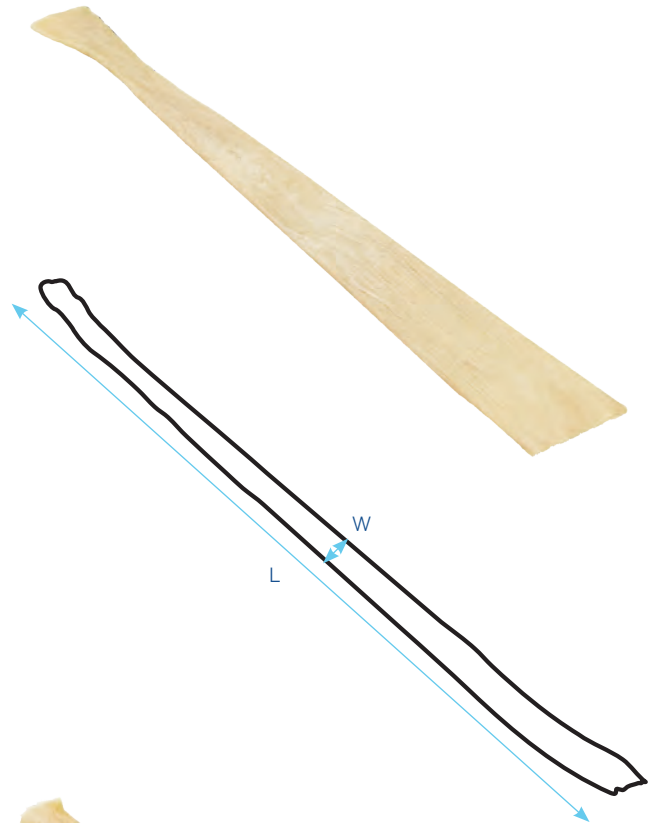
Source: Anterior Tibialis Tendon

Preservation Method: Frozen

Containers must be stored at -40°C or colder.

Measurement Description: W = midpoint width. L = length.
D = folded diameter.

Common Surgical Applications: Reconstruction of knee, ankle, wrist, or shoulder ligaments.



SteriGraft® - Tibialis Tendon Posterior

Product Code	Description	Sizes
897	Tibialis Tendon Posterior	L ≥ 250mm D ≥ 8mm

Source: Posterior Tibialis Tendon

Preservation Method: Frozen

Containers must be stored at -40°C or colder.

Measurement Description: W = midpoint width. L = length.
D = folded diameter.

Common Surgical Applications: Reconstruction of knee, ankle, wrist, or shoulder ligaments.



STERILE SOFT TISSUE ALLOGRAFTS

SteriGraft® - Peroneus Longus Tendon

Product Code	Description	Sizes
995	Peroneus Longus Tendon	L ≥ 250mm D ≥ 7mm

Source: Peroneus Longus Tendon

Preservation Method: Frozen

Containers must be stored at -40°C or colder.

Measurement Description: W = midpoint width. L = length.

D = folded diameter.

Common Surgical Applications: Reconstruction of knee, ankle, wrist, or shoulder ligaments.



SteriGraft® - Plantaris Tendon

Product Code	Description	Sizes
990	Plantaris Tendon	W = 4-8mm L ≥ 250mm

Source: Plantaris Tendon

Preservation Method: Frozen

Containers must be stored at -40°C or colder.

Measurement Description: W = midpoint width. L = length.

D = folded diameter.

Common Surgical Applications: Reconstruction of knee, ankle, wrist, or shoulder ligaments.

SteriGraft® - Fascia Lata

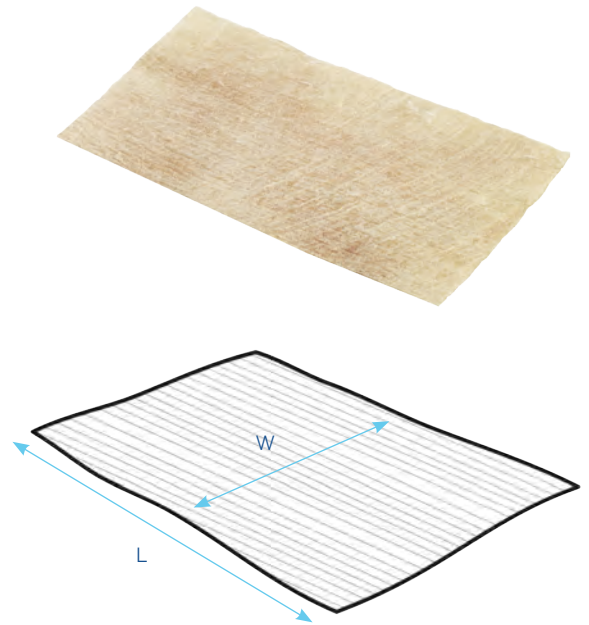
Product Code	Description	Sizes
701	Fascia Lata, 40x60mm	W = 40mm L = 60mm
702	Fascia Lata, 50x80mm	W = 50mm L = 80mm
703	Fascia Lata, 60x100mm	W = 60mm L = 100mm
704	Fascia Lata, 70 x ≥ 150mm	W ≥ 70mm L ≥ 150mm

Source: Lateral surface of the thigh

Preservation Method: Lyophilized
Containers must be stored at ambient temperature.

Measurement Description: Fascia may or may not include the iliotibial bands. The width (W) will be perpendicular to the grain, and the length (L) will be taken along the grain.

Common Surgical Applications: Ligament reconstruction, repair of craniotomy and dural defects, eye lid repair, or bladder suspension.



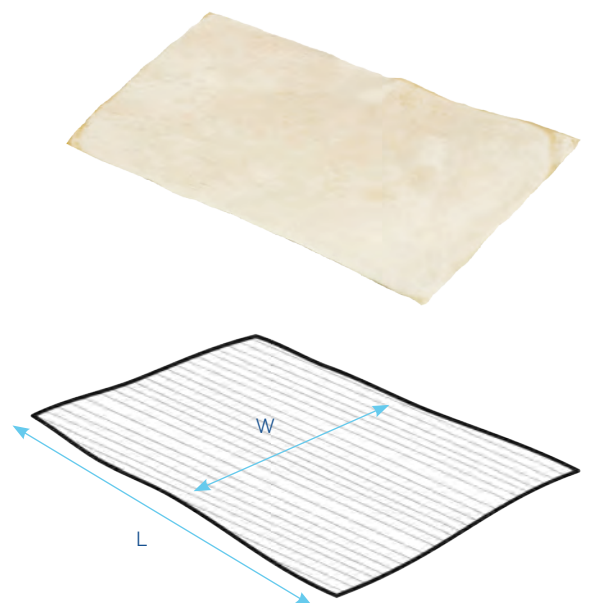
SteriGraft® - Pericardium

Product Code	Description	Sizes
720	Pericardium, 15x20mm	15x20mm (+/- 0.5mm)
721	Pericardium, 20x30mm	20x30mm (+/- 0.5mm)
722	Pericardium, 30x40mm	30x40mm (+/- 0.5mm)
723	Pericardium, 60x60mm	60x60mm (+/- 5mm)
724	Pericardium, 80x80mm	80x80mm (+/- 5mm)

Source: Pericardial sac

Preservation Method: Lyophilized
Containers must be stored at ambient temperature.

Common Surgical Applications: Pericardial defect, dura matter repair, and periodontal reconstruction.



STERILE TRADITIONAL BONE ALLOGRAFTS

SteriGraft® - Cancellous Crushed 1-4mm

Product Code	Description	Sizes
316	Cancellous Crushed 1-4mm, 5cc	5cc
309	Cancellous Crushed 1-4mm, 10cc	10cc
308	Cancellous Crushed 1-4mm, 15cc	15cc
306	Cancellous Crushed 1-4mm, 30cc	30cc



Source: Proximal and distal ends of long bones, ilium, calcaneus, or talus

Preservation Method: Lyophilized
Containers must be stored at ambient temperature.

Common Surgical Applications: Filling of bone defects, prosthetic or bone graft augmentation for spinal fusion, oral and maxillofacial, ankle and foot, or general orthopedic reconstruction.

SteriGraft® - Cancellous Crushed 4-10mm

Product Code	Description	Sizes
317	Cancellous Crushed 4-10mm, 10cc	10cc
312	Cancellous Crushed 4-10mm, 15cc	15cc
313	Cancellous Crushed 4-10mm, 30cc	30cc



Source: Proximal and distal ends of long bones, ilium, calcaneus, or talus

Preservation Method: Lyophilized
Containers must be stored at ambient temperature.

Common Surgical Applications: Filling of bone defects, prosthetic or bone graft augmentation for spinal fusion, oral and maxillofacial, ankle and foot, or general orthopedic reconstruction.

SteriGraft® - Cortical - Cancellous Crushed 1-4mm

Product Code	Description	Sizes
449	Cortical - Cancellous Crushed 1-4mm, 5cc	5cc
458	Cortical - Cancellous Crushed 1-4mm, 10cc	10cc
464	Cortical - Cancellous Crushed 1-4mm, 15cc	15cc
465	Cortical - Cancellous Crushed 1-4mm, 30cc	30cc



Source: Proximal and distal ends of long bones, ilium, calcaneus, or talus

Preservation Method: Lyophilized

Containers must be stored at ambient temperature.

Common Surgical Applications: Filling of bone void defects, augments prosthetic or other implants used for spinal fusion, oral and maxillofacial, ankle and foot, or general orthopedic reconstruction.

SteriGraft® - Cortical - Cancellous Crushed 4-10mm

Product Code	Description	Sizes
459	Cortical - Cancellous Crushed 4-10mm, 10cc	10cc
467	Cortical - Cancellous Crushed 4-10mm, 15cc	15cc
468	Cortical - Cancellous Crushed 4-10mm, 30cc	30cc



Source: Proximal and distal ends of long bones, ilium, calcaneus, or talus

Preservation Method: Lyophilized

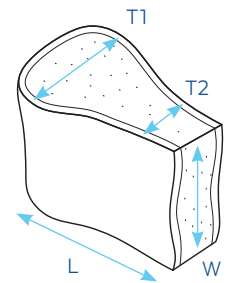
Containers must be stored at ambient temperature and checked for the presence of a seal.

Common Surgical Applications: Filling of bone defects, prosthetic or bone graft augmentation for spinal fusion, oral and maxillofacial, ankle and foot, or general orthopedic reconstruction.

STERILE TRADITIONAL BONE ALLOGRAFTS

SteriGraft® - Ilium Tricortical Block

Product Code	Description	Sizes
114	Ilium Tricortical Block	W = 12mm L = 25-30mm T1 ≥ 10mm T2 ≥ 7mm
101	Ilium Tricortical Block	W = 15mm L = 25-30mm T1 ≥ 10mm T2 ≥ 7mm
116	Ilium Tricortical Block	W = 18mm L = 25-30mm T1 ≥ 10mm T2 ≥ 7mm
115	Ilium Tricortical Block	W = 25mm L = 25-30mm T1 ≥ 15mm T2 ≥ 15mm



Source: Iliac crest

Preservation Method: Lyophilized

Containers must be stored at ambient temperature.

Common Surgical Applications: Spinal fusion or general orthopedic reconstruction.

SteriGraft® - Strut

Product Code	Description	Sizes
404	Cortical - Cancellous Strut >50mm (1/pkg)	49-51mm



Source: Tibia, femur, or ilium

Preservation Method: Lyophilized

Containers must be stored at ambient temperature.

Common Surgical Applications: Spinal fusion, oral and maxillofacial reconstruction, or general orthopedic reconstruction.

SteriGraft® - Patella Block

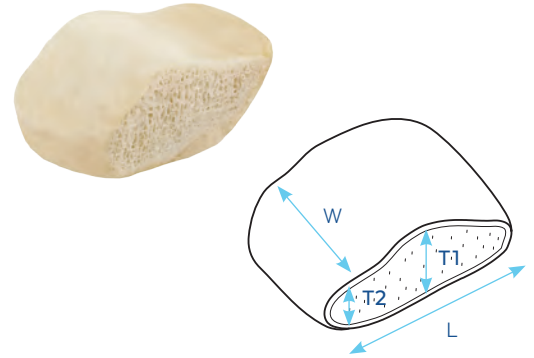
Product Code	Description	Sizes
100	Patella Block	W = 18-30mm T1 ≥ 9 mm; T2 ≥ 5 mm L = varies, see diagram

Source: Center of the patella

Preservation Method: Lyophilized

Containers must be stored at ambient temperature.

Common Surgical Applications: Spinal fusion, tibial tubercle elevation/osteotomy, or general orthopedic reconstruction.



SteriGraft® - Cortical Plate

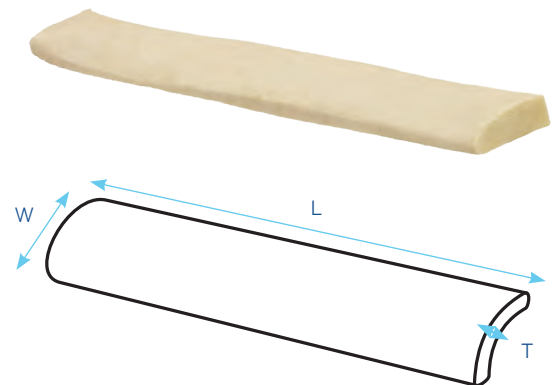
Product Code	Description	Sizes
445	Cortical Plate 20x200mm	L = 198-202mm W = 19-21mm T ≥ 3mm

Source: Femur or tibia

Preservation Method: Lyophilized

Containers must be stored at ambient temperature.

Common Surgical Applications: Hip revision or general orthopedic reconstruction.



STERILE TRADITIONAL BONE ALLOGRAFTS

SteriGraft® - Fibula Shaft

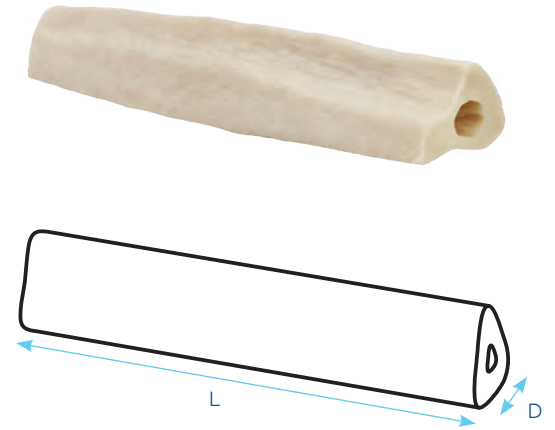
Product Code	Description	Sizes
426	Fibula Shaft, 40mm	L= 38-42mm D ≥10mm
425	Fibula Shaft, 100mm	L= 98-102mm D ≥10mm

Source: Fibula

Preservation Method: Lyophilized

Containers must be stored at ambient temperature.

Common Surgical Applications: Cervical fusion/corpectomy or general orthopedic reconstruction.



SteriGraft® - Femoral Head

Product Code	Description	Sizes
692	Femoral Head - Frozen	D ≥ 45mm

Preservation Method: Frozen

Containers must be stored at -40°C or colder.

Common Surgical Applications: Hip revision or general orthopedic reconstruction.



ORDERING INFORMATION

Contact Us

BBA is committed to meeting your needs for safe, high-quality human tissues for transplantation. Our aim is to meet all tissue needs and surgery dates with our diverse graft selection and exceptional customer service. We are proud to be able to provide over 60,000 allografts per year for transplant surgeries within the United States and internationally.

Our Certified Tissue Bank Specialists coordinate the distribution of tissues as well as address any concerns regarding our products or the distribution process. A BBA Account Manager can be reached Monday through Friday, between 8:00am and 5:00pm CST, at (800) 397-0088 or at (210) 696-7616. A staff member is always on call outside regular operating hours to respond to emergency orders and concerns and will generally respond to your call within 15 minutes.

In addition, BBA's technical staff is available to answer questions, offer suggestions, or discuss custom tissue needs. Our team is always available to educate and consult with surgeons or hospital personnel regarding allograft usage.

We would love to hear from you!

Bone Bank Allografts

Client Services
5335 Castroville Road
San Antonio, TX 78227

Main: 210-696-7616
Toll Free: 800-397-0088
Fax: 210-696-7609

Would you like to receive additional information about ordering or distributing BBA products?

- A **Medical Facility** or **Distributor** located within the United States: usproduct-inquiry@bonebank.com
- A **Medical Facility** or **Distributor** located Internationally: intlproduct-inquiry@bonebank.com

Placing an Order

When placing tissue orders, the following information is required:

- Contact information of person placing order
- End user medical facility name and address
- Purchase order number
- Specific tissue type and size
- Case date and requested delivery time
- Procedure to be performed
- Surgeon name

Private Labeling & Alternate Grafts

BBA offers private labeling services. Please contact your Account Manager to discuss options, volumes, and requirements.

We may also provide various bone and soft tissue products that are not featured in this catalog. These items may not be readily available in our inventory but upon request may be produced. Please contact your Account Manager at BBA to discuss your specific needs.

ORDERING INFORMATION

Delivery Options

Local Delivery Services (San Antonio, TX)

Local BBA approved courier(s)

Cost: \$25 per shipment or return (regardless of service)

After Hours Order and Delivery Services

For orders placed outside of normal business hours, a service fee of \$125 will be applied.

Fed Ex Delivery Services

- **First Overnight** delivered by 8-8:30am (where available)
- **Priority One** delivered by 10:30am (by noon or 4:30pm in remote areas)
- **Standard** delivered by 3:30pm (4:30pm in remote areas)
- **2 Day** delivered on the 2nd business day by 4:30pm
- **Express Saver** delivered on the 3rd business day by 4:30pm to a business (7pm to residences)
- Estimated freight costs (as of catalog publication date – call for current rates) are provided below:

Delivery Time	Fed Ex Service	Freeze-Dried Estimated Shipping Cost*	Frozen Estimated Shipping Cost*
By 8:00am	First Overnight	\$88	\$155 - \$200
By 10:30am	Priority One	\$62	\$95 - \$120
By 4:30pm	Standard	\$52	N/A
2 Day (by 4:30pm)	2 Day	\$42	N/A
3 Day (by 4:30pm)	Express Saver	\$37	N/A
Varies	Saturday Delivery	\$25 (additional)	\$25 (additional)

***Shipping rates are estimates only and are subject to change without notice. Actual shipping charges may apply.**

Estimates for frozen shipments are based on box volume and amount of dry ice required to ship the package.

International Delivery Services - Contact us at 800-397-0088 for a quote of services available and estimated shipping costs.

Storage Indications

Freeze-dried allografts should be maintained at room temperature (59°-86°F or 15°-30°C). No refrigeration is necessary.

Frozen allografts are shipped frozen on dry ice via overnight courier. Upon arrival, product should be removed from the shipping container and placed in a freezer at or below -40°C (-40°F).

Alternate storage conditions (frozen grafts)

Product may be stored for 6 months or less in a freezer at -20°C to -39°C (-4°F to -38°F).

BBA shipping containers have been validated to maintain appropriate storage temperatures.

Product Returns Policy

Bone Bank Allograft's mission is to provide only safe, high-quality allograft tissues to health care professionals. In an effort to meet these goals, BBA will accept returned human allograft tissue for exchange or credit provided the tissue has been consistently maintained, and the following return procedures have been followed. General criteria for returning tissue are as follows:

- **No frozen allograft return requests will be accepted at any time.**
- **No return requests for grafts shipped with a 6 month or shorter expiration will be accepted.**
- **No freeze-dried allograft return requests will be accepted more than 30 days after the invoice date.**
- A Return Goods Authorization number must be received from a BBA Account Manager and clearly indicated on the outside of the package.
- Human allograft tissue must be in its original, unopened, and untampered container.
- Original labeling must be legible, intact, and not defaced in any manner.
- Human allograft tissue must be returned using shipping methods, containers, and packing materials in accordance with BBA's return procedures.
- Human allograft tissue must be received in good condition by BBA.

Freeze-Dried Tissue:

- Freeze-dried and saline-preserved human allograft tissue must be stored and maintained at ambient temperatures while at your facility.
- Freeze-dried human allograft tissue should be wrapped in bubble packaging or other material that will reduce the risk of breakage, damage, or puncture during shipment
- Freeze-dried human allograft tissue should be returned for delivery within 5 days from the date you receive return authorization or the return will no longer be accepted.

For additional details on returning products to BBA, please contact your Account Manager at 800-397-0088, or refer to BBA's Return and Credit Policy included with each shipment.

BBA reserves the right to refuse any return that has not met the conditions and specifications of this policy. Some returns may be subject to further restrictions. All returns are subject to a 20% restocking fee.



BONEBANK
ALLOGRAFTS

Bone Bank Allografts

Client Services

5335 Castroville Road
San Antonio, TX 78227

Main: 210-696-7616

Toll Free: 800-397-0088

Fax: 210-696-7609

www.BoneBank.com

Copyright 2022, Bone Bank Allografts

BBCAT01 Rev E